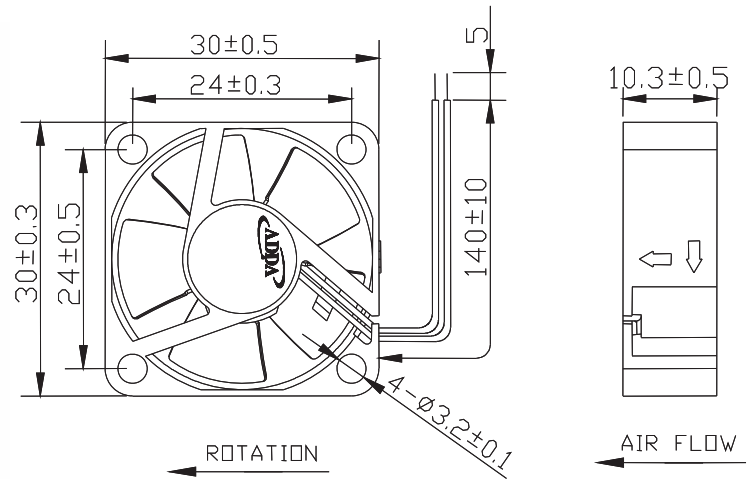




AG3010 SERIES

External Dimensions



Frame:Plastic(UL:94V-0)
 Impeller:Plastic(UL:94V-0)
 Lead wire:UL1507AWG28

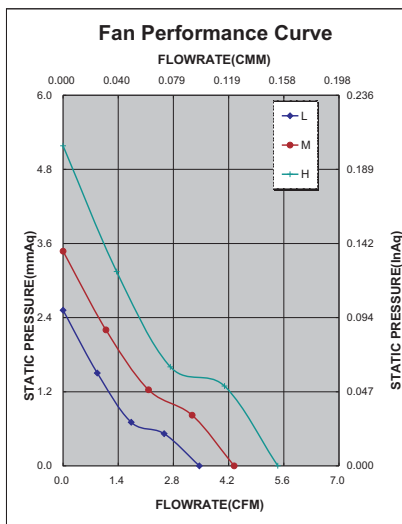
Specifications(Nominal)

*Noise is measured at the distance of one (1) meter from the axis of intake.

Bearing type: ⊙=Ball ⊛=Sleeve ●=Hypro bearing

Frame size (mm)	Model No.	Bearing System Type	Rated Voltage (VDC)	Current (A)	Power (W)	Rated Speed (rpm)	Maximum AirFlow (CMM)	Maximum AirFlow (CFM)	Maximum Pressure (InAq)	Maximum Pressure (mmAq)	*Noise Level (dB/A)	Weight (g)
30x30x10	AG03005LX105100	⊙ ●	5	0.07	0.35	6500	0.096	3.400	0.090	2.286	22.0	6.5
	AG03005MX105100	⊙ ●	5	0.11	0.55	8000	0.121	4.300	0.130	3.300	26.5	
	AG03005HX105100	⊙ ●	5	0.13	0.65	9500	0.152	5.400	0.200	5.080	30.0	
	AG03012HX105100	⊙ ●	12	0.12	1.44	11000	0.165	5.850	0.240	6.100	33.5	

Specifications subject to change without notice.



*Motor protective circuit and third lead wire functions

0	1	2	3	4	6	7	8	9	A	B
	✓		✓							

*Safety approvals

				✓