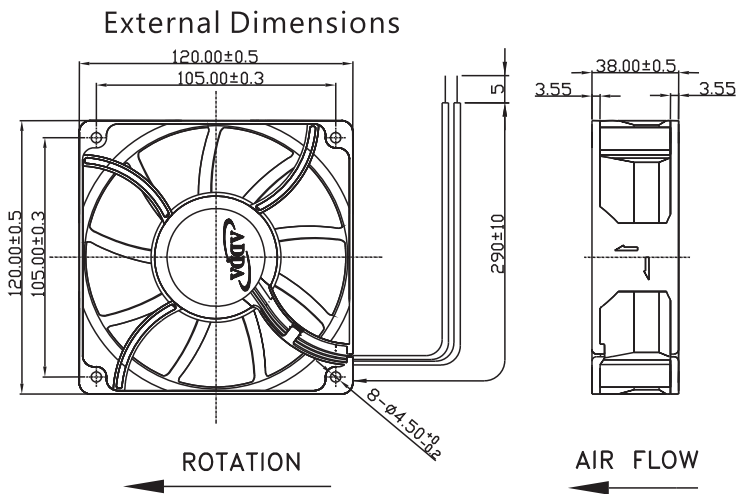




AD12038GP SERIES



Frame: Plastic(UL:94V-0), Aluminum
 Impeller: Plastic(UL:94V-0)
 Lead wire: UL1007AWG24

Ps. Two different frame materials (Plastic and Aluminum) can be used for AD12038GP, please note which kind of material you're interested and inform your sales if needed.

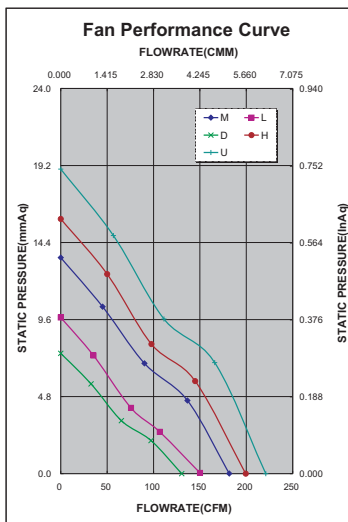
Specifications(Nominal)

*Noise is measured at the distance of one (1) meter from the axis of intake.

Bearing type: ○=Ball ※=Sleeve ◯=1B1S ●=Hypro bearing

Frame size (mm)	Model No.	Bearing System Type	Rated Voltage (VDC)	Current (A)	Power (W)	Rated Speed (rpm)	Maximum AirFlow		Maximum Pressure		*Noise Level (dB/A)	Weight (g)
							(CMM)	(CFM)	(InAq)	(mmAq)		
120x120x38	AD1212DB-F91GP(F)	○	12	0.49	5.88	2800	3.694	130.544	0.295	7.493	48.5	335.0 /Plastic 390.0 /Aluminum
	AD1212LB-F91GP(FCU)	○	12	0.70	8.40	3200	4.248	150.120	0.383	9.728	52.5	
	AD1212MB-F91GP(FCU)	○	12	0.96	11.52	3800	5.139	181.601	0.530	13.462	57.5	
	AD1212HB-F91GP(FCU)	○	12	1.62	19.44	4300	5.652	199.730	0.625	15.875	61.0	
	AD1224DB-F91GP(F)	○	24	0.23	5.52	2800	3.694	130.544	0.295	7.493	48.5	
	AD1224LB-F91GP(FCU)	○	24	0.36	8.64	3200	4.248	150.120	0.383	9.728	52.5	
	AD1224MB-F91GP(FCU)	○	24	0.58	13.92	3800	5.139	181.601	0.530	13.462	57.5	
	AD1224HB-F91GP(FCU)	○	24	0.80	19.20	4300	5.652	199.730	0.625	15.875	61.0	
	AD1224UB-F91GP(FCU)	○	24	1.15	27.60	4700	6.265	221.402	0.747	18.973	63.0	
	AD1248DB-F91GP(F)	○	48	0.16	7.68	2800	3.694	130.544	0.295	7.493	48.5	
	AD1248LB-F91GP(FCU)	○	48	0.18	8.64	3200	4.248	150.120	0.383	9.728	52.5	
	AD1248MB-F91GP(FCU)	○	48	0.28	13.44	3800	5.139	181.601	0.530	13.462	57.5	
	AD1248HB-F91GP(FCU)	○	48	0.44	21.12	4300	5.652	199.730	0.625	15.875	61.0	
	AD1248UB-F91GP(FCU)	○	48	0.58	27.84	4700	6.265	221.402	0.747	18.973	63.0	

Specifications subject to change without notice.



*Motor protective circuit and third lead wire functions

0	1	2	3	4	6	7	8	9	A	B
	✓	✓	✓					✓		✓

*Safety approvals

✓	✓		✓	✓