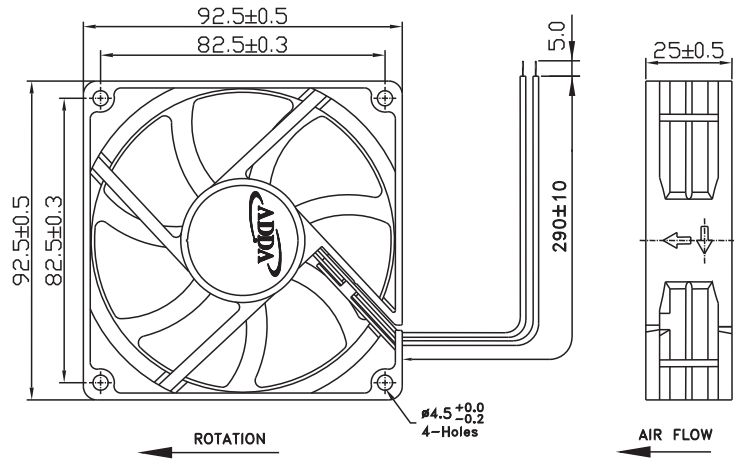
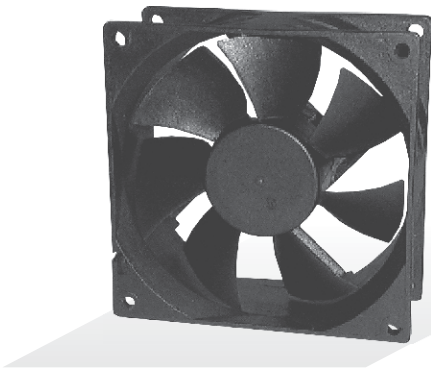


**External Dimensions**



Frame:Plastic(UL:94V-0)  
 Impeller:Plastic(UL:94V-0)  
 Lead wire:UL1007AWG24

**Specifications(Nominal)**

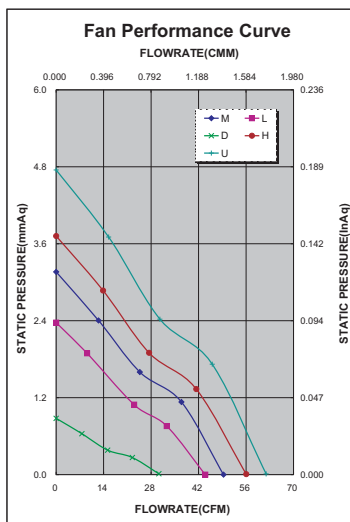
\*Noise is measured at the distance of one (1) meter from the axis of intake.

Bearing type: ⊙=Ball ※=Sleeve ○=1B1S ●=Hypro bearing

Frame size (mm)	Model No.	Bearing System Type	Rated Voltage (VDC)	Current (A)	Power (W)	Rated Speed (rpm)	Maximum AirFlow		Maximum Pressure		*Noise Level (dB/A)	Weight (g)
							(CMM)	(CFM)	(InAq)	(mmAq)		
92x92x25	AD0912DB-A71GL(N)	⊙ ※ ●	12	0.05	0.60	1600	0.858	30.303	0.034	0.877	19.1	92.0
	AD0912LB-A71GL(N)	⊙ ※ ●	12	0.09	1.08	2300	1.245	43.993	0.093	2.370	30.0	
	AD0912MB-A71GL(N)	⊙ ※ ●	12	0.14	1.68	2600	1.396	49.357	0.124	3.149	34.5	
	AD0912HB-A71GL(N)	⊙ ※ ●	12	0.18	2.16	2900	1.587	56.069	0.146	3.721	37.5	
	AD0912UB-A71GL(N)	⊙ ※ ●	12	0.27	3.24	3300	1.752	61.929	0.187	4.749	42.2	
	AD0924LB-A71GL(N)	⊙ ※ ●	24	0.08	1.92	2300	1.245	43.993	0.093	2.370	30.0	
	AD0924MB-A71GL(N)	⊙ ※ ●	24	0.09	2.16	2600	1.396	49.357	0.124	3.149	34.5	
	AD0924HB-A71GL(N)	⊙ ※ ●	24	0.11	2.64	2900	1.587	56.069	0.146	3.721	37.5	
	AD0924UB-A71GL(N)	⊙ ※ ●	24	0.16	3.84	3300	1.752	61.929	0.187	4.749	42.2	
	AD0948HB-A71GL	⊙	48	0.11	5.28	2900	1.587	56.069	0.146	3.721	37.5	

Specifications subject to change without notice.

The specification for bearing type is for reference only , for more bearing types information, please contact with your ADDA sales representative, thanks!!  
 (網頁上呈現產品軸承資訊均以2Ball為主，若需其他產品資訊請聯絡您在ADDA的業務代表，謝謝！！)



\*Motor protective circuit and third lead wire functions

0	1	2	3	4	6	7	8	9	A	B
	✓	✓	✓							

\*Safety approvals

✓	✓		✓	✓