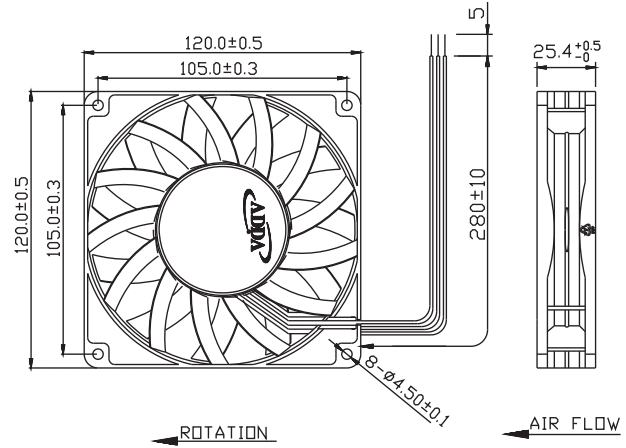




AS12025 SERIES

External Dimensions



Frame:Plastic(UL:94V-0)
 Impeller:Plastic(UL:94V-0)
 Lead wire:UL1007AWG24

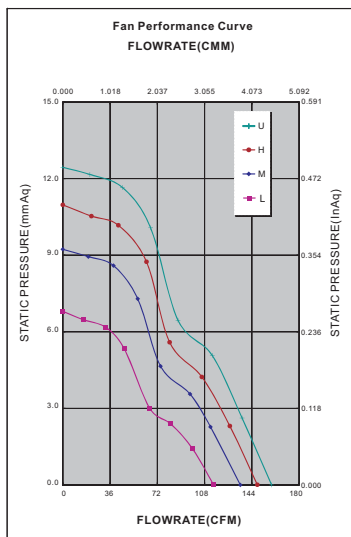
Specifications(Nominal)

*:Noise is measured at the distance of one (1) meter from the axis of intake.

Bearing type: ⊙=Ball ⊛=Sleeve ●=Hypro bearing

Frame size (mm)	Model No.	Bearing System Type	Rated Voltage (VDC)	Current (A)	Power (W)	Rated Speed (rpm)	Maximum AirFlow (CMM)	Maximum AirFlow (CFM)	Maximum Pressure (InAq)	Maximum Pressure (mmAq)	*Noise Level (dB/A)	Weight (g)
120x120x25	AS12012LB25AB00	⊙	12	0.66	7.92	2900	3.252	114.945	0.268	6.870	51.0	220.0
	AS12012MB25AB00	⊙	12	0.84	10.08	3400	3.827	135.260	0.363	9.220	55.6	
	AS12012HB25AB00	⊙	12	1.06	12.72	3700	4.193	148.185	0.432	10.972	57.9	
	AS12012UB25AB00	⊙	12	1.42	17.04	4000	4.502	159.087	0.490	12.446	60.1	
	AS12024LB25AB00	⊙	24	0.28	6.72	2900	3.252	114.945	0.268	6.870	51.0	
	AS12024MB25AB00	⊙	24	0.43	10.32	3400	3.827	135.260	0.363	9.220	55.6	
	AS12024HB25AB00	⊙	24	0.55	13.20	3700	4.193	148.185	0.432	10.972	57.9	
	AS12024UB25AB00	⊙	24	0.71	17.04	4000	4.502	159.087	0.490	12.446	60.1	
	AS12048LB25AB00	⊙	48	0.17	8.16	2900	3.252	114.945	0.268	6.870	51.0	
	AS12048MB25AB00	⊙	48	0.23	11.04	3400	3.827	135.260	0.363	9.220	55.6	
AS12048HB25AB00	⊙	48	0.30	14.40	3700	4.193	148.185	0.432	10.972	57.9		
AS12048UB25AB00	⊙	48	0.37	17.76	4000	4.502	159.087	0.490	12.446	60.1		

Specifications subject to change without notice.



*Motor protective circuit and third lead wire functions

0	1	2	3	4	6	7	8	9	A	B
	✓		✓					✓		✓

*Safety approvals

✓	✓		✓	✓