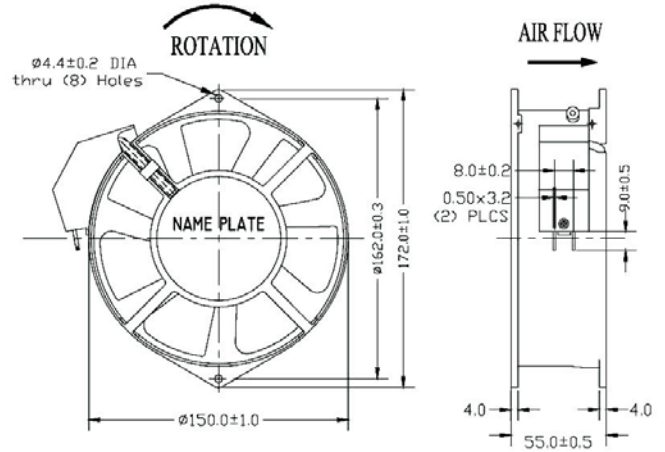




AX16255 SERIES

External Dimensions



Frame: Aluminum Alloy
 Impeller: Plastic (UL: 94V-0)
 Motor Structure: Capacitor-Run Induction Motor.
 Motor Protection: Thermal Protect.
 Lead wire: UL 1015 AWG22
 OPERATING TEMP*: $-10^{\circ}\text{C} \sim 70^{\circ}\text{C}$
 *: $-10^{\circ}\text{C} \sim 60^{\circ}\text{C}$ for fans with sleeve/ball combination bearings.

Specifications (Nominal)

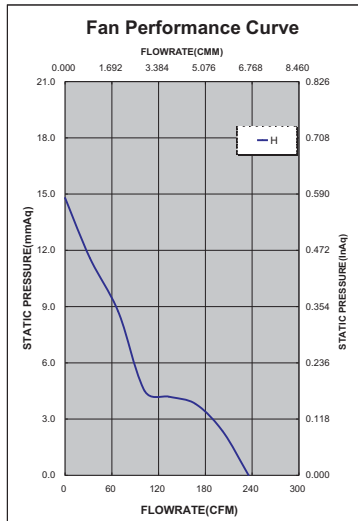
*: Noise is measured at the distance of one (1) meter from the axis of intake.

Bearing type: \odot =Ball \otimes =Sleeve \circ =1B1S \bullet =Hypro bearing

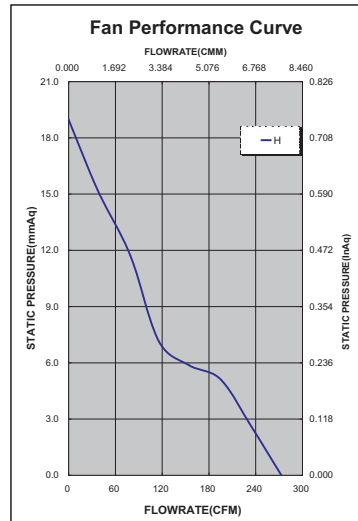
Frame size (mm)	Model No.	Bearing System Type	Volt. (VAC)	Freq. (Hz)	Current (A)	Power (W)	Rated Speed (rpm)	Maximum AirFlow (CMM)	Maximum AirFlow (CFM)	Maximum Pressure (InAq)	Maximum Pressure (mmAq)	*Noise Level (dB/A)	Weight (g)
162x150x55	AX15551HB-C	\odot	115	50/60	0.36/0.37	40.00/41.40	2800/3200	6.594/7.614	233.0/270.0	0.572/0.708	14.529/17.983	56.0/61.0	870
	AX15552HB-C		230		0.16/0.19	34.50/41.40							

Specifications subject to change without notice.

50Hz



60Hz



*Safety approvals
115V

✓	✓			

230V

✓	✓		✓	✓